

ANGLE WALL COMPRESSION FITTINGS FOR MULTILAYER PIPE

Application

The **te-sa** angle wall female threaded connection compression fitting **217RSI** is designed to connect multilayer pipes at the utilities in different hydraulic applications.

Made of high-quality materials, is available for the most commercial pipe size 16x2, and it allow to fit the pipe with high reliability in the service time.

This fitting is intended for uses on heating and cooling applications, as well as on hot and cold drinking water distribution systems.

All **te-sa** fittings are fully manufactured in Italy.

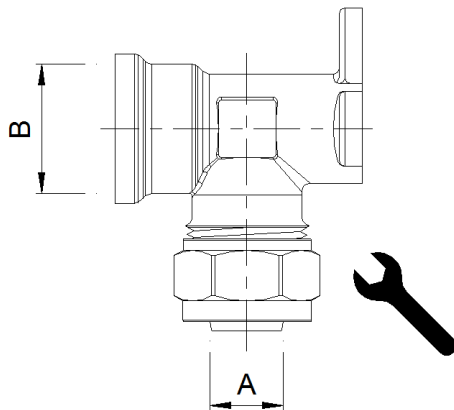



Technical data

- Fittings for use in combination with size 16x2 multilayer pipes produced in the respect of the Standard EN-ISO 21003, and of the Standards related to it
- Intended for uses on water distribution systems and compressed air distribution for wall installation
- Nut and fitting body made of forged brass UNI-EN12165 CW617N
- Adaptors body made of machined brass UNI-EN12164 CW614N
- Retaining ring made of brass UNI-EN12164 CW614N
- O-rings seals made of compound EPDM-PX
- Maximum operating temperature 90 °C
- Maximum operating pressure 10 bar
- Suitable with heating water added with glycol solutions at maximum percentage of 30%
- Electrical insulation ring made of PVC
- Nickel plated to obtain higher corrosion resistance in the main applications
- Suggested assembly torque 20÷30 Nm

Warning: maximum operating pressure and temperature could be reduced based on the characteristics of the pipe connected

Dimensions



Art.	A	B	
217RSI-04F-16020	Ø16x2	1/2"	24