

MALE/FEMALE REDUCTION

Application

The male/female reductions Art. **212** are used in large quantity in the hydronic distribution of cold and hot water. The main use is on brass and stainless steel manifold barrels, that are female threaded, to assembly accessories with lower size on the heads.

This series of reductions is equipped with O-ring seal that permits, in the main part of the applications, to avoid addition of sealant materials as hemp or PTFE.

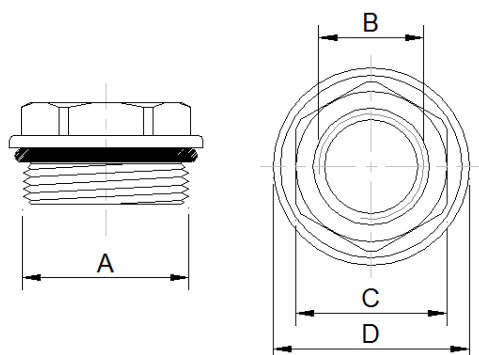
The chrome plating treatment permits to preserve the brass alloy by corrosion phenomena in the ordinary applications.



Technical data

- Available sizes in the range 3/4" to 2"
- Made of forged brass alloy UNI-EN12165 CW617N
- Seal O-ring made of EPDM compound
- Chrome plated (*brass finish in the size 2"*)

Dimensions



Art.	A	B	C	D
212-052	3/4"	1/4"	25	Ø33
212-053	3/4"	3/8"	25	Ø33
212-054	3/4"	1/2"	25	Ø33
212-063	1"	3/8"	30	Ø39
212-064	1"	1/2"	30	Ø39
212-065	1"	3/4"	30	Ø39
212-074	1 1/4"	1/2"	38	Ø49
212-075	1 1/4"	3/4"	38	Ø49
212-076	1 1/4"	1"	38	Ø49
212-094	2"	1/2"	36	Ø66
212-095	2"	3/4"	36	Ø66