

## SAFETY THERMOSTAT

### Applications

The **te-sa** R-06TCAM55C is a contact safety bimetallic thermostat with automatic reset that can be used where it is necessary to put a limit at the water temperature supplied by using pipes or distribution units for mechanical room. The operating mode of the thermostat is very simple because is a mechanical switch that maintain closed the electrical circuit if the detected temperature is below 55°C, and open the electrical circuit when the detected temperature by the sensor is over the threshold of 55°C. After the opening of the circuit, if the temperature of the sensor surface drops below 45°C, automatically the bimetallic internal element close again the electrical circuit and the utilities connected to the thermostat restart. The safety thermostat need to be connected in series on the electrical circuit that manages the water supply controlled (circulation pumps, zone valves, wall mounted boilers, electrical heaters,...)



### Assembly of the safety thermostat

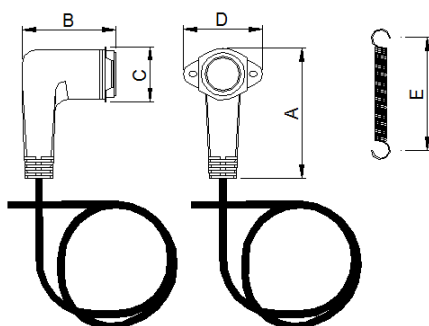
The safety thermostat can be easily assembled by engaging the spring on it using the two holes located on the thermostat collar. The spring need to be positioned around the pipe or around the circulator so that it maintains the head of the sensor in contact with the surface where it is necessary detect the temperature. The positioning of the thermostat it is very important because if the head of the sensor it is not perfectly in contact with the surface, the detected temperature could be lower to the real temperature, therefore the safety of the control is reduced.



### Technical Data

- Operating Voltage 230V – 50 Hz
- Suggested maximum electric current passing-through 5A (the thermostat can resist up to 16A but when the current increases the work cycles are reduced)
- Number of cycles life 100.000
- Degree of electrical protection IP67
- Intervention Temperature 55°C ± 3°C (at this temperature the internal switch open the electrical circuit)
- Reset temperature 45°C ± 3°C (at this temperature the internal switch close the electrical circuit that remain in this condition up to the Intervention Temperature)
- Quick connection of the cable two-wire to the sensor element
- Cable length 45 cm
- Fast assembly on the pipe to be protected by using the included spring

### Dimensions



Art.	A	B	C	D	E
R-06TCAM55C	47	36	22	32	45