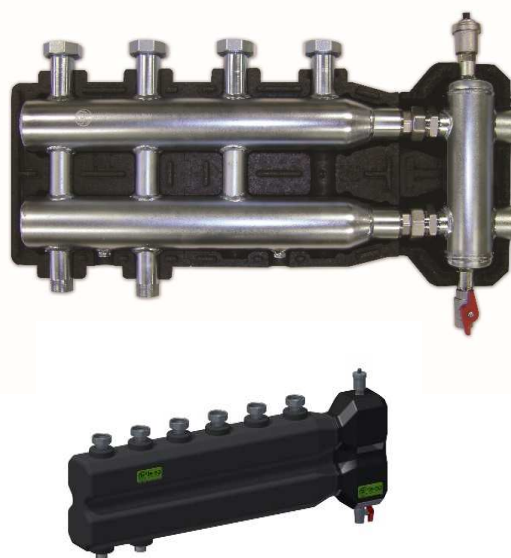


## REGULATING GROUPS FOR CENTRAL HEATING SYSTEMS

### Use and application

Pre assembled zinc plated carbon steel kit, composed by hydraulic separator and coplanar distribution manifold with 1½" Female swevel nut flat seat connections and 1" Male on added way.

Fixing brackets and EPP insulation shell.  
Head connections 1¼" Female with centre distance 140 mm.  
Centre distance connections 125 mm.



### Technical data

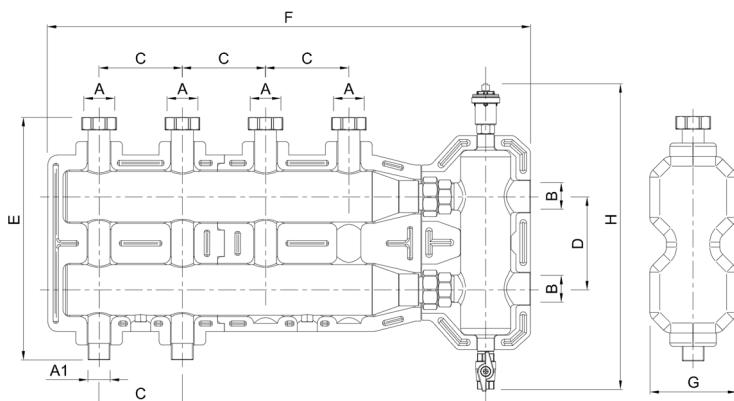
#### Insulation:

Material: EPP  
Density: 45 kg/m<sup>3</sup>  
Operating temperature: -5÷120 °C  
Thermal conductivity: 0,037 W/(m·K) a 10 °C  
Reaction to fire classification (UL94): HBF

#### Manifold:

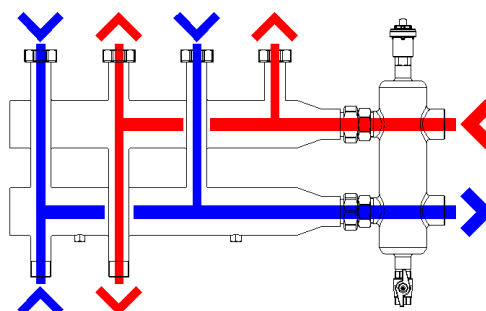
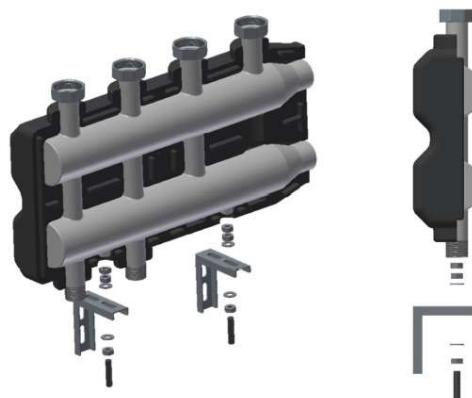
Material: Zinc plated carbon steel  
Operating temperature: 0÷100 °C  
Maximum operating pressure: 8 bar  
Maximum test pressure: 16 bar  
Flow Coefficient of the single delivery: KV=23

### Dimensions



Art.	A	B	C	D	E	A1	F	G	H
766-21	1 ½"F	1 ¼"F	125	140	364	1"M	730	125	465
766-31	1 ½"F	1 ¼"F	125	140	364	1"M	980	125	465
766-41	1 ½"F	1 ¼"F	125	140	364	1"M	1230	125	465
766-51	1 ½"F	1 ¼"F	125	140	364	1"M	1480	125	465

### Wall-mounting sequence



Installation

