

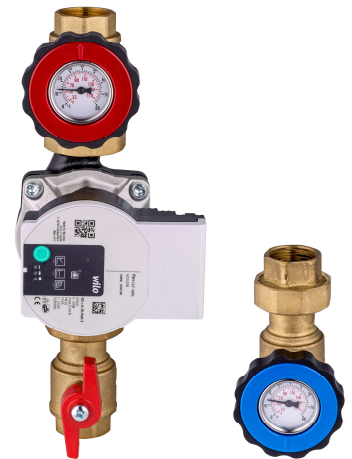
SIMPLE DIRECT DISTRIBUTION UNIT

Applications

The simple direct distribution unit Art. 707 is used in heating and conditioning systems where it is necessary to supply the utilities directly with water at the production temperature. Its greatest use is in traditional radiator systems, fan coil units and in the supply of units for air treatment, but it is often also used in underfloor radiant systems in the case if the energy source is at low temperature, or where mixing units are installed directly combined with the distribution manifolds.

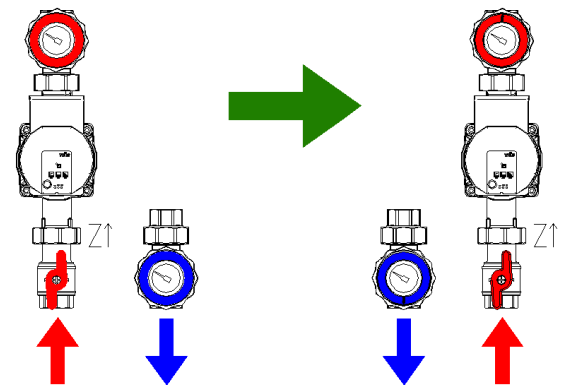
Its installation can be in combination with coplanar distribution manifolds, directly installed on thermal storage tanks, or on existing manifolds in centralized systems to be renovate.

The unit is characterized by high assembly flexibility thanks to which it is possible to exchange the supply connections directly on site, without the aid of special equipment. Made of brass parts, it features a latest generation high efficiency circulator with high prevalence, able to adapt to the flow requirements both in terms of water rate and in terms of available pressure.



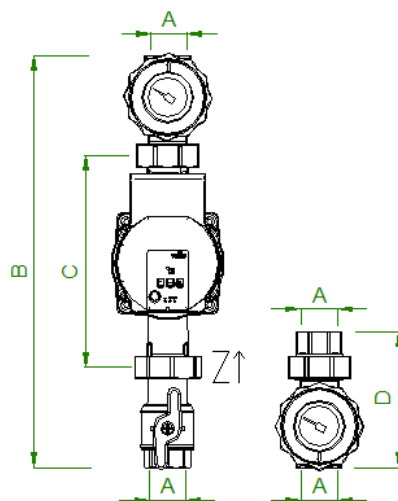
Technical Data

- Maximum Operating Pressure 6 bar
- Maximum Test Pressure 10 bar
- Maximum Inlet Temperature at the unit 85°C
- Ball valves 1" size with control thermometers range 0÷80°C
- Connections 1" female
- Center distance unit adaptable to the application
- Check-valve integrated in the supply ball valve upstream circulator
- Flow coefficient of the unit KV = 8
- High efficiency electronic circulator Wilo Para 25/7-130 mm or Wilo Para 25/8 – 180 mm (depending to the part number)
- Maximum glycol percentage 40%
- Forged components made of Brass Alloy UNI-EN 12165 CW617N
- Machined components made of Brass Alloy UNI-EN 12164 CW614N
- O-ring made of EPDM and flat gaskets made of fiber
- Supplying on right or on left with simple reverse of the assembly
- Totally Made in Italy
- Available in the configuration without circulator (Art. 707-066-WP)



Quick and easy conversion of the unit from right delivery circulator to left delivery circulator

Dimensions



Art.	A	B	C	D
707-066-70	1" F	300	130	110
707-066-80	1" F	350	180	110



Ball valves with ergonomic maneuver knobs and integrated thermometers for controlling the delivery and return temperatures to the system