

## BALL ZONE VALVE 4 WAYS

### Application

Zone valves **TENDER** are employed in conditioning systems to control automatically the inlet of the fluids in identified parts of the building, or also in mechanical room with their direct assembly on distribution manifolds, storage tanks, heat and cool water generators, renewable energy systems.

Other uses of zone valves are in the energy metering systems, in the domestic drinking water distribution systems, and in the garden irrigation systems.

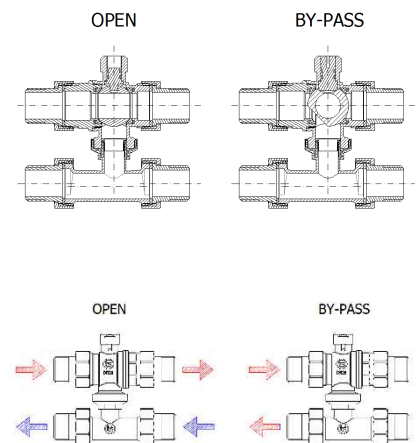
**te-sa** zone valves four ways Art. 395 belong to the ball type with full port on the straight way, and contoured on the by-pass way, in order to have the maximum flow in line, and a preliminary balancing of the pressure loss on the third way. The zone valve is developed in two separable parts, and is with adjustable centre distance that permits the direct assembly on different brands coplanar manifolds for radiators system distribution.

The valves are easily motorized by means a fast connection mechanism, which permits in case of necessity to make quick maintenances.



### Characteristic

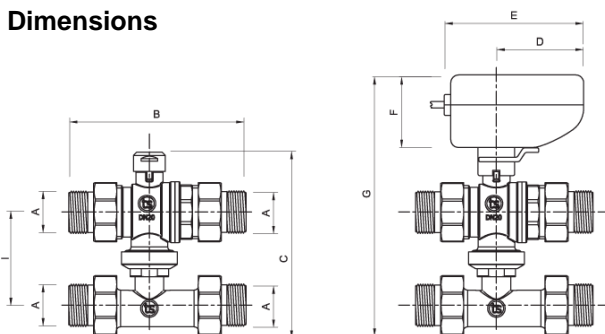
- Zone valve four ways with contoured ball on the below by-pass way, with male tailpieces flat seat
- Centre Distance adjustable in the range 50 ÷ 64 mm
- Excellent for use in all applications with direct assembly on coplanar distribution manifolds or on system parts that require easy disassembly for maintenance. The zone valve Art. 395 permits to have continue circulation of the water also when the direct way is closed because all flow is diverted in the by-pass way
- Full port ball characterized by high flow coefficient KV on the straight way
- Totally chrome plated to obtain great corrosion resistance and optimal aesthetic aspect that is important in the exposed assembly.
- Motorizable with fast connection servomotors Art. 390MT available with power supply 230V e 24V, and equipped of end switch free of tension
- Maneuver stem tamperproof assembled from inside and equipped with double O-ring and low friction ring
- Ball gaskets made of PTFE low friction with elastic anti-block system that reduces the first movement force



### Technical Data

- For use with hot and cold water in conditioning systems, domestic drinking waters, garden irrigation waters
- Maximum operating pressure 10 bar
- Range of operating temperature -5 ÷ 110°C
- Maximum percentage of glycol 50%
- Forged components made of brass alloy UNI-EN 12165:16 CW617N
- Directly machined from rod components made of brass alloy UNI-EN 12164:16 CW614N
- Ball gaskets made of PTFE low friction
- Seal O-rings made of EPDM
- In line flow capacity 3/4" size KV = 27. By-pass flow capacity 3/4" size KV = 2.8

### Dimensions



Art.	A	B	C	D	E	F	G	I
395-05	3/4"	124	106 + 120	65	108	55	167 + 181	50 + 64