

BALL ZONE VALVE 2 WAYS MxM MOTORIZED

Application

The zone valves **TENDER** are employed in conditioning systems to control automatically the inlet of the fluids in identified parts of the building, or also in mechanical room with their direct assembly on distribution manifolds, storage tanks, heat and cool water generators, renewable energy systems.

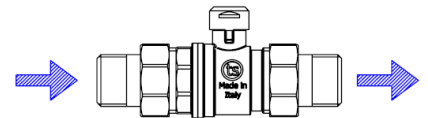
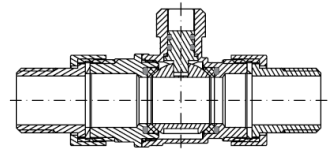
Other uses of zone valves **TENDER** are in the energy metering systems, in the domestic drinking water distribution systems, and in the garden irrigation systems.

te-sa zone valves belong to the ball type with full port, that allow to have high flow capacity with very low loss of pressure. The valves are motorized by means fast connection mechanism, which permits in case of necessity to make quick maintenances also in limited spaces.



Characteristic

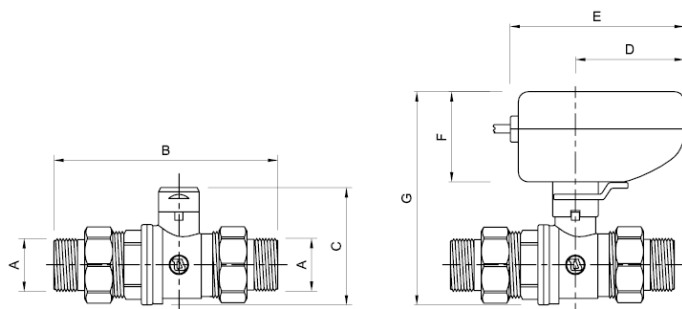
- Straight zone valve two ways with male tailpieces flat seat
- Excellent for use in conditioning systems with variable flow electronic circulator, and in all applications with direct assembly on distribution manifolds
- Full port ball characterized by high flow coefficient KV
- Totally chrome plated to obtain great corrosion resistance and optimal aesthetic aspect that is important in the exposed assembly
- Motorized with fast connection servomotor with power supply 230V equipped of end switch free of tension
- Maneuver stem tamperproof assembled from inside and equipped with double O-ring and low friction PTFE ring
- Ball gaskets made of PTFE low friction with elastic anti-block system that reduces the first movement force and lengthens the life of the actuator



Technical Data

- For use with hot and cold water in conditioning distribution systems, domestic drinking waters, garden irrigation waters
- Maximum operating pressure 10 bar
- Range of operating temperature $-5 \div 110^{\circ}\text{C}$
- Maximum percentage of glycol 50%
- Forged components made of brass alloy UNI-EN 12165:16 CW617N
- Directly machined from rod components made of brass alloy UNI-EN 12164:16 CW614N
- Ball gaskets made of PTFE low friction
- Seal O-ring made of EPDM
- Servomotor 230VAC-50/60 Hz, Power consumption 3.9 VA, Protection Class IP54, Double insulation Class 2, Rotation time 45 s, Starting torque 8 N-m, Operating temperature range $-5 \div 55^{\circ}\text{C}$, Auxiliary End-Switch electrical capacity 1A (250V), Connection wire length 0.8 m
- Connections with unions flat seat available for sizes 1/2", 3/4" and 1"
- Flow capacity: 1/2" size KV = 17 ; 3/4" size KV = 30 ; 1" size KV = 43

Dimensions



Art.	A	B	C	D	E	F	G
392-04	1/2"	118	51	65	108	55	112
392-05	3/4"	124	57	65	108	55	118
392-06	1"	138	66	65	108	55	127