

ANGLE BALL VALVES FOR MANIFOLDS

Applications

The angle ball valves **te-sa** Art. **350TK/1** are characterized by extreme compactness that makes them optimal for direct mounting on the distribution manifolds, but also in general on all heating and conditioning distribution systems. Equipped with thermometers with non-invasive housing on the forged valve body, therefore without penalizing the flow capacity, and that permit to maintain easily under control the temperatures of the circulating water.

The components are made of high quality materials, and the body is particularly strong in order to withstand even high stresses applied to the valves during assembly.

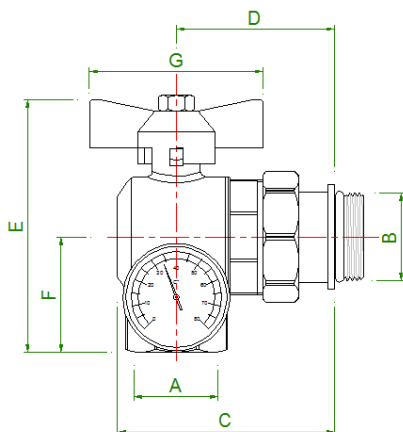
The seal gaskets on the ball, made of low friction PTFE, make these valves very maneuverable even when left for long periods in a closed or wide-open position. The tailpiece with seal O-ring on the body connection facilitates assembly and maintenance operations of the connected system components. The male thread of the tailpiece is with self-sealing connection by means O-ring, that allows the direct connection to **te-sa** manifolds and accessories without adding other seal materials as hemp or PTFE. The high thickness of the galvanic plating makes this series of valves particularly resistant to corrosive actions in case of use where aggressive atmospheres are present.



Technical data

- For use with hot and cold water in heating and cooling distribution systems
- Maximum operating pressure 10 bar
- Range of operating temperature $-5 \div 110^{\circ}\text{C}$ for type without thermometer 350K/1
- Range of operating temperature $0 \div 80^{\circ}\text{C}$ for type with thermometer 350TK/1
- Forged components made of brass alloy UNI-EN 12165 CW617N
- Directly machined from rod components made of brass alloy UNI-EN 12164 CW614N
- Seal gaskets and O-ring made of EPDM
- Ball gaskets made of PTFE low friction
- Maneuver stem tamperproof assembled from inside and equipped with double seal O-ring
- Conical union with O-ring on valve side with self-sealing connection on tailpiece by means O-ring
- Thermometer range $0 \div 80^{\circ}\text{C}$, with non-invasive housing on the valve body and possibility of positioning on both sides of the valve
- Tee handle made of aluminum painted red or blue
- Full port ball
- Maximum percentage of glycol 40%
- Flow capacity: KV = 20 for valve size 1" ; KV = 10 for valve size 3/4"
- Body valve nickel plated, ball and tail piece with nut chrome plated
- Packaged in pair with red and blue handles for assembly on supply and return lines

Dimensions



Art.	A	B	C	D	E	F	G
350T/1-05	3/4"F	3/4"M	75	58	82	40	57
350T/1-065	3/4"F	1"M	83	65	82	40	57
350T/1-06	1"F	1"M	90	69	93	44	65