

BALL VALVES FOR MANIFOLDS

Applications

The ball valves **te-sa** Art. **305NK/1** and Art. **305NTK/1** are characterized by extreme compactness that makes them optimal for direct mounting on the distribution manifolds, but also in general on all distribution heating and conditioning systems. The components are made of high quality materials and suitable for uses in distribution systems of human consumption waters. The seal gaskets on the ball, made of low friction PTFE, make these valves very maneuverable even when left for long periods in a closed or wide-open position. The union piece flat seat of which they are equipped facilitates assembly and maintenance operations of the system components connected. The male thread of the tailpiece is with self-sealing connection by means O-ring, that allow the direct connection to **te-sa** manifolds and accessories without adding other seal materials as hemp or PTFE.

The high thickness chrome plating in addition to giving a pleasant aesthetic appearance lasting over time, makes this series of valves particularly resistant to corrosive actions in case of use where aggressive atmospheres are present.



305NTK/1

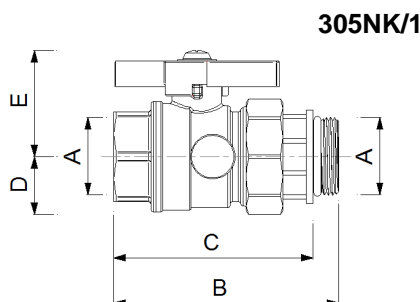


305NK/1

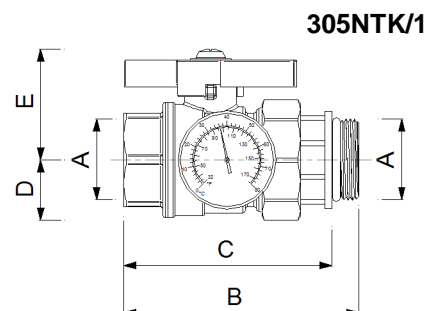
Technical data

- For use with hot and cold water in conditioning systems, domestic drinking waters, compressed air, garden irrigation waters that do not carry sands or impurities
- Maximum operating pressure 16 bar
- Range of operating temperature $-5 \div 110^{\circ}\text{C}$ for type without thermometer 305N/1
- Range of operating temperature $0 \div 80^{\circ}\text{C}$ for type with thermometer 305NT/1
- Forged components made of brass alloy UNI-EN 12165 CW617N
- Directly machined from rod components made of brass alloy UNI-EN 12164 CW614N
- Seal gaskets and O-ring made of EPDM
- Ball gaskets made of PTFE low friction
- Maneuver stem tamperproof assembled from inside and equipped with double seal O-ring
- Union flat seat valve side with self-sealing connection on tailpiece by means O-ring
- Thermometer on type 305NT/1 range $0 \div 80^{\circ}\text{C}$, with non-invasive housing on the valve body and possibility of positioning on both sides of the valve
- Tee handle made of aluminum painted red or blue
- Full port ball for the sizes 3/4" and 1"
- Maximum percentage of glycol 50%
- Flow capacity: KV = 26 for size 3/4" ; KV = 45 for size 1" ; KV = 60 for size 1-1/4"
- Packaged in pair with red and blue handles for assembly on supply and return lines

Dimensions



Art.	A	B	C	D	E
305N/1-05	3/4"	87	77	20	42
305N/1-06	1"	92	83	25	47
305N/1-07	1-1/4"	103	91	25	47



Art.	A	B	C	D	E
305NT/1-06	1"	92	83	25	47
305NT/1-07	1-1/4"	103	91	25	47