

ENDPIECE WITH ACCESSORIES FOR MANIFOLDS

Application

The endpiece for manifolds includes manual air vent valve and fill&drain valve. It can be easily assembled on brass manifolds and allows with its accessories to fill or drain water in the system and manually remove the air bubbles transported by the water flow. The installation of an endpiece for each manifold is recommended. Made of brass chrome plated has functionality and resistance to the corrosions.



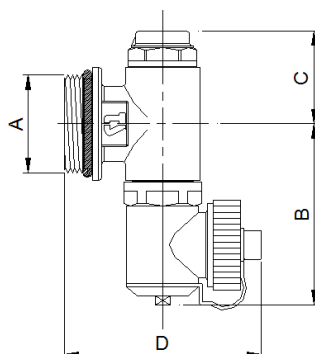
Assembly

To assembly the endpiece it is necessary totally screw the male thread to the manifold head until reach a vertical position for the two accessories air vent and fill&drain valve. The male thread of the endpiece is sincronized with the female threads of the brass te-sa manifolds. This allows to reach easily the vertical position when the endpiece is totally screwed. This component can be also assembled on stainless steel manifolds, but in this case the threads are not sincronized, therefore in some cases it is not possible to reach the perfect vertical final position. In these cases it is suggested to adding some PTFE tape on the male thread because it can permits to reach the assembled correct position. The manual air vent valve should be positioned on top while the fill&drain valve need to be screwed in the below thread of the endpiece.

Technical data

- For use with hot and cold water in conditioning systems
- Threaded connection 3/4", 1" and 1-1/4" male. Accessories connections 1/2" female
- Maximum operating pressure 10 bar
- Range of operating temperature 0 ÷ 95°C
- Forged components made of brass alloy UNI-EN 12165 CW617N
- Directly machined from rod components made of brass alloy UNI-EN 12164 CW614N
- O-ring made of EPDM
- Manual air vent valve 1/2" connection with O-ring seal
- Orientable fill&drain valve 1/2" connection with O-ring seal, and hose connection 3/4"

Dimensions



Art.	A	B	C	D
254G-05	3/4"	60	33	61
254G-06	1"	60	33	61
254G-07	1 1/4"	60	33	61