

## THERMOSTATIC FIXED POINT REGULATION UNIT

### Application

The thermostatic fixed-point regulation unit has the function of distributing the heat-carrying fluid in low-temperature radiant panel heating systems by reducing the temperature of the water supplied from a boiler that mainly feeds a radiator system.

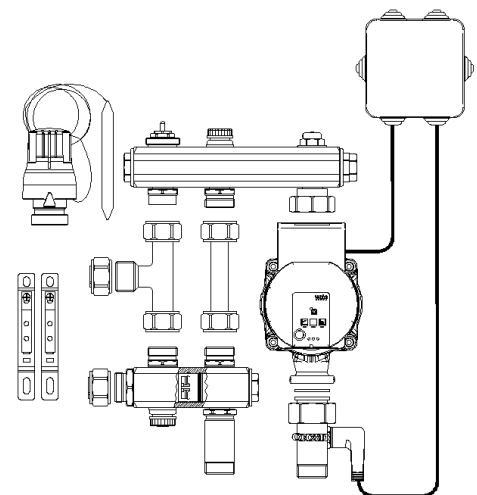
The compact size and the connections 3/4" Eurocone make the group very easy to install and suitable in all applications where it is necessary to supply water at low temperature in underfloor heating systems laid on small surfaces. This unit is optimal to warm surfaces up to 50 square meters and has been developed to connect up to four loops by using manifold expansion kits.

The unit is composed by a supply mixing manifold (where are located the injection thermostatic valve with remote temperature sensor, a manual air vent valve, and the balancing lockshield of the secondary circuit), a return manifold (that includes a balancing lockshield for the by-pass controlling the high temperature water from boiler, and a check valve in the middle to avoid unwanted water circulation between high temperature and low temperature zones), and an electronic high efficiency circulator.



### Technical features

- Manifold barrel made of Brass alloy UNI-EN 12168 CW612N
- Forged components made of Brass alloy UNI-EN 12165 CW617N
- Machined components made of Brass alloy UNI-EN 12164 CW614N
- Manifolds body size 3/4" chrome plated
- Seals and O-ring made of EPDM
- Maximum Operating Pressure 6 bar
- Maximum Test Pressure 10 bar
- Maximum Primary Supply Temperature 95°C
- Thermostatic head with remote liquid sensor with low hysteresis
- Secondary water temperature regulation range 20÷65°C
- Maximum differential pressure on thermostatic bonnets 1 bar
- Maximum glycol percentage 30%
- Electronic circulator Class A Wilo Para 15/6 with 1" connections
- Equipped with connection fittings at primary circuit for copper pipes Ø15
- Underfloor system pipe connections 3/4" Eurocone
- Safety thermostat 230V with intervention temperature 55°C. Automatic reset
- Balancing lockshields on primary and secondary circuits
- Circulator and safety thermostat prewired in connection box
- Couple of assembly brackets included
- Flow Coefficient of the unit KV = 1,9



### Accessories

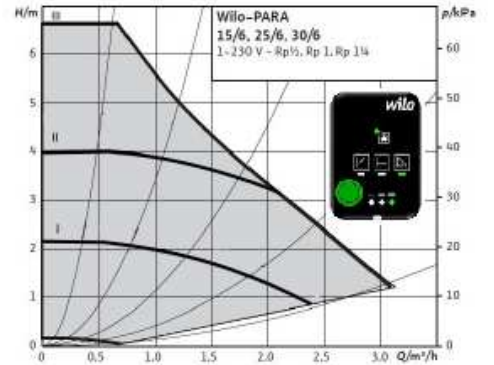
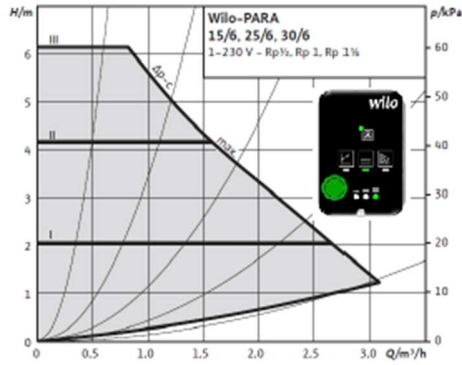
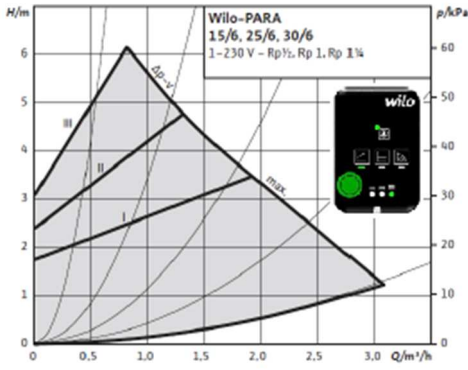
**208EDM** Supply chrome plated manifold with micrometric balancing lockshield, barrel size 3/4" with Eurocone loop connections for compression fittings 3/4". Connection to the regulation unit with tail piece 3/4". Available with 2, 3, 4 and 5 loop connections.



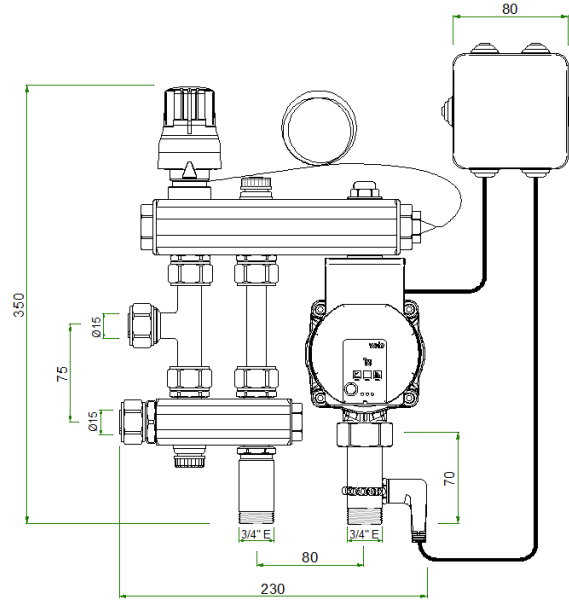
**208EVTC** Return chrome plated manifold with thermostatable interception valves, barrel size 3/4" with Eurocone loop connections for compression fittings 3/4". Connection to the regulation unit with tail piece 3/4". Available with 2, 3, 4 and 5 loop connections. Thermostatic head connections M30x1,5



**Circulator Features**



**Main Dimensions**



**Operating scheme**

