

STRAIGHT NIPPLE

Application

The nipples Art. 231 are used in large quantity in the hydronic distribution of cold and hot water. The main uses are in the mutual junctions of female components, and to transform a female thread connection in male thread connection, as for example brass manifold barrels that are female threaded and that in some application need to be male threaded to connect specific accessories. This series of nipples is equipped with O-ring seal that permits, in the main part of the applications, to avoid addition of sealant materials as hemp or PTFE.

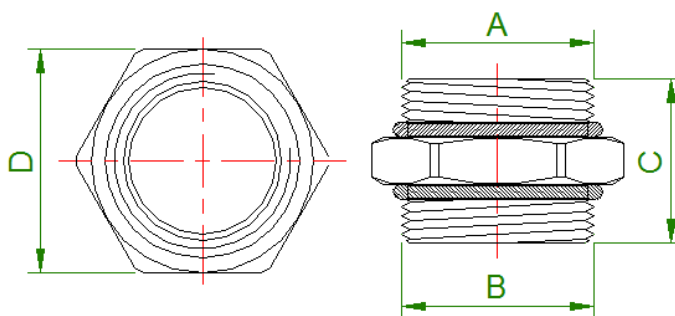
The chrome plating treatment permits to preserve the brass alloy by corrosion phenomena in the ordinary applications.



Technical data

- Available sizes 3/4", 1" and 1-1/4"
- Full port flow section
- Made of forged brass alloy UNI-EN12165 CW617N
- Seal O-ring made of EPDM compound
- Chrome plated

Dimensions



Art.	A	B	C	D
231-055	3/4"	3/4"	28	33
231-066	1"	1"	28	38
231-077	1 1/4"	1 1/4"	29	50