

## BRASS CHROME PLATED DISTRIBUTION MANIFOLD

### Application

The 220BM **te-sa** pre-assembled distribution manifolds are designed for the distribution and regulation of heat transfer fluid in heating and conditioning systems.

Made of certified brass alloy material, they are ideally suited to radiator heating systems and fan coil units distribution systems, with condensing boilers, traditional boiler, or heating district distributions. The manifold when completed with insulation is usable for conditioning systems. The particular design of the manifold features a great flow section with reduced pressure drops and consequently lower energy consumption in the circulator pumps. The big flow section of these manifolds permits to the water to reduce its speed, with the result to have very low noises produced. Beautiful to see is strong, reliable and corrosion resistant in the ordinary applications.



### Configuration and available sizes

Pre-assembled on brackets, it is a distribution manifold with 3/4" Eurocone loop connections with centre distance 50 mm. On the top of the barrels is located a 1/2" female thread that permits the installation of manual or automatic air vents that allow in this position to totally remove the air accumulated. The manifold can be completed by using the available accessories, as for example ball valves and end pieces. The manifold is packaged in carton box with labels included to identify the circuits connected.

#### 1" inlet connection

220BM-06-02	2 Loops
220BM-06-03	3 Loops
220BM-06-04	4 Loops
220BM-06-05	5 Loops
220BM-06-06	6 Loops
220BM-06-07	7 Loops
220BM-06-08	8 Loops
220BM-06-09	9 Loops
220BM-06-10	10 Loops
220BM-06-11	11 Loops
220BM-06-12	12 Loops
220BM-06-13	13 Loops

#### 1-1/4" inlet connection

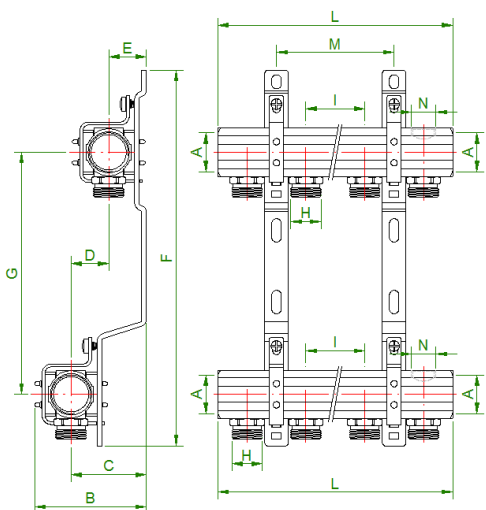
220BM-07-02	2 Loops
220BM-07-03	3 Loops
220BM-07-04	4 Loops
220BM-07-05	5 Loops
220BM-07-06	6 Loops
220BM-07-07	7 Loops
220BM-07-08	8 Loops
220BM-07-09	9 Loops
220BM-07-10	10 Loops
220BM-07-11	11 Loops
220BM-07-12	12 Loops
220BM-07-13	13 Loops



### Technical data

- Manifold barrel made of Brass alloy UNI-EN 12168 CW612N chrome plated
- Manifold connections made of Brass Alloy UNI-EN 12164 CW614N chrome plated
- Manifold body size connections: 1" and 1-1/4"
- Brackets made of carbon steel tropicalized, completed with isolation rubbers
- Maximum Operating Pressure 10 bar
- Operating Temperature 0 ÷ 95°C
- Maximum Test Pressure 16 bar
- Maximum glycol percentage 50%
- KV factor single manifold barrel: KV = 4,8 for size 1" and KV = 4,9 for size 1-1/4"
- KV factor combination Supply + Return: KV = 3,4 for size 1" and KV = 3,5 for size 1-1/4"

## Dimensions



Art.	A	B	C	D	E	F	G	H	I	L	M	N
220BM-06-02	1"	95	64	32	32	320	206	3/4"	50	100	-	1/2"
220BM-06-03	1"	95	64	32	32	320	206	3/4"	50	150	50	1/2"
220BM-06-04	1"	95	64	32	32	320	206	3/4"	50	200	100	1/2"
220BM-06-05	1"	95	64	32	32	320	206	3/4"	50	250	150	1/2"
220BM-06-06	1"	95	64	32	32	320	206	3/4"	50	300	200	1/2"
220BM-06-07	1"	95	64	32	32	320	206	3/4"	50	350	250	1/2"
220BM-06-08	1"	95	64	32	32	320	206	3/4"	50	400	300	1/2"
220BM-06-09	1"	95	64	32	32	320	206	3/4"	50	450	350	1/2"
220BM-06-10	1"	95	64	32	32	320	206	3/4"	50	500	400	1/2"
220BM-06-11	1"	95	64	32	32	320	206	3/4"	50	550	450	1/2"
220BM-06-12	1"	95	64	32	32	320	206	3/4"	50	600	500	1/2"
220BM-06-13	1"	95	64	32	32	320	206	3/4"	50	650	550	1/2"

Art.	A	B	C	D	E	F	G	H	I	L	M	N
220BM-07-02	1 1/4"	105	69	32	37	320	206	3/4"	50	106	-	1/2"
220BM-07-03	1 1/4"	105	69	32	37	320	206	3/4"	50	156	50	1/2"
220BM-07-04	1 1/4"	105	69	32	37	320	206	3/4"	50	206	100	1/2"
220BM-07-05	1 1/4"	105	69	32	37	320	206	3/4"	50	256	150	1/2"
220BM-07-06	1 1/4"	105	69	32	37	320	206	3/4"	50	306	200	1/2"
220BM-07-07	1 1/4"	105	69	32	37	320	206	3/4"	50	356	250	1/2"
220BM-07-08	1 1/4"	105	69	32	37	320	206	3/4"	50	406	300	1/2"
220BM-07-09	1 1/4"	105	69	32	37	320	206	3/4"	50	450	350	1/2"
220BM-07-10	1 1/4"	105	69	32	37	320	206	3/4"	50	506	400	1/2"
220BM-07-11	1 1/4"	105	69	32	37	320	206	3/4"	50	556	450	1/2"
220BM-07-12	1 1/4"	105	69	32	37	320	206	3/4"	50	606	500	1/2"
220BM-07-13	1 1/4"	105	69	32	37	320	206	3/4"	50	656	550	1/2"

## Accessories



**305NTK/1** Pair of straight full port ball valves, with union connection with O-Ring seal, completed with thermometer scale 0÷80°C. Available sizes 1" and 1-1/4".



**350TK/1** Pair of angle full port ball valves, with union connection with O-Ring seal, completed with thermometer scale 0÷80°C. Available size 1".



**208 - 216T - 217T** Compression fittings with nut threaded 3/4" Eurocone, to connect copper pipes, polyethylene pipes and multilayer pipes at the manifolds. Available for the main commercial sizes of pipes.



**256** Intermediate unit for manifolds completed with automatic air vent, thermometer, and charge/discharge valve. O-ring seal on connection with swivel nut. Available size 1".



**213** Chrome plated brass end plug. O-ring seal on connection. Available sizes 1" and 1-1/4".



**211N11** Full painted metal cabinet with key on door for embedded installation. Dimensions: 45 cm Height, 11÷15 cm Depth, 40-60-80-100-120 cm Width.



**254** End piece for manifolds completed with automatic air vent valve and charge/discharge valve. O-ring seal on connection. Available sizes 1" and 1-1/4".



**254G** End piece for manifolds completed with manual air vent valve and charge/discharge valve. O-ring seal on connection. Available sizes 1" and 1-1/4".