

PLUG

Application

The male plugs Art. **213** are used in large quantity in the hydronic distribution of cold and hot water. The main use is on brass and stainless steel manifold barrels that are female threaded to close one head.

This series of plugs is equipped with O-ring seal that permits, in the main part of the applications, to avoid addition of sealant materials as hemp or PTFE.

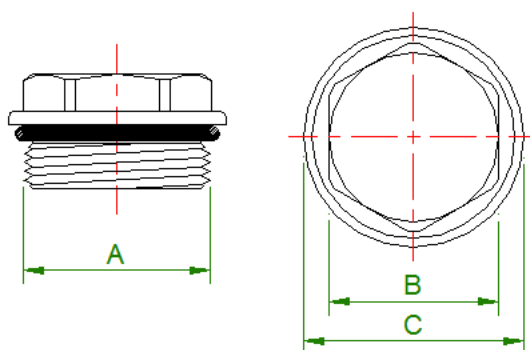
The chrome plating treatment permits to preserve the brass alloy by corrosion phenomena in the ordinary applications.



Technical data

- Available sizes in the range 1/2" to 2"
- Made of machined brass alloy UNI-EN12164 CW614N for the size 1/2"
- Made of forged brass alloy UNI-EN12165 CW617N for the other sizes
- Seal O-ring made of EPDM compound
- Chrome plated

Dimensions



Art.	A	B	C
213-04	1/2"	22	Ø24
213-05	3/4"	25	Ø33
213-06	1"	30	Ø39
213-07	1 1/4"	38	Ø49
213-09	2"	36	Ø66