

END FITTING FOR MANIFOLD

Application

The male end fitting Art. 159 is normally used on the head of the brass manifolds to assembling accessories as for example manual or automatic air vents, fill & drain valves, male fittings to create additional connections or by-pass. The two exit female threaded of the end fitting can be oriented based on the necessity of installation.

This series of end fittings is equipped with O-ring seal that permits in the connection with manifolds to avoid addition of sealant materials as hemp or PTFE.

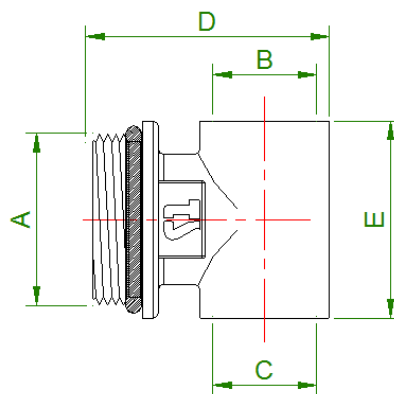
The chrome plating treatment permits to preserve the brass alloy by corrosion phenomena in the ordinary applications.



Technical data

- Available connection sizes 3/4", 1" and 1-1/4" male
- Accessories connections 3/8" and 1/2" female
- Made of forged brass alloy UNI-EN12165 CW617N
- Seal O-ring made of EPDM compound
- Chrome plated

Dimensions



Art.	A	B	C	D	E
159-0534	3/4"	3/8"	1/2"	47	38
159-0634	1"	3/8"	1/2"	47	38
159-0644	1"	1/2"	1/2"	47	38
159-0734	1 1/4"	3/8"	1/2"	47	38
159-0744	1 1/4"	1/2"	1/2"	47	38