

FEMALE END FITTING FOR MANIFOLD

Application

The female end fitting Art. **159F** is normally used on the male head of the modular brass manifolds to assembling accessories as for example manual or automatic air vents, fill & drain valves, male fittings to create additional connections or by-pass. The two exit female threaded of the end fitting can be oriented based on the necessity of installation.

This series of end fittings is connected with manifolds by using additional of sealant materials, as for example hemp or PTFE. For the 1" size end fitting it is possible the connection by introducing a flat rubber gasket on bottom of the female thread.

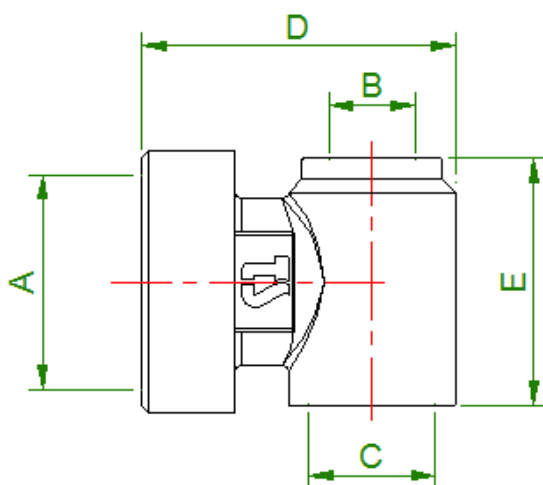
The chrome plating treatment permits to preserve the brass alloy by corrosion phenomena in the ordinary applications.



Technical data

- Available connection sizes 3/4" and 1" female
- Accessories connections 3/8" and 1/2" female
- Made of forged brass alloy UNI-EN12165 CW617N
- Connection side machined flat seat to permits assembly with rubber flat gasket for 1" size
- Chrome plated

Dimensions



Art.	A	B	C	D	E
159F-0534	3/4"	3/8"	1/2"	49	37
159F-0634	1"	3/8"	1/2"	47	41