

MANUAL AIR VENT VALVE

Application

The manual discharge valve **te-sa Art. 156** was designed and built to allow air to vent from radiator-type heaters or fan coils in a quick and safe way. Thanks to its construction features it is equipped with high exhaust flow even with low operating pressures. With brass body and high-strength resin handwheel, it can be subjected to high operating temperatures for long periods without experiencing loss of performance or leakage caused by early wear of components. The hydraulic seal of the valve is made directly from the maneuvering monobloc rod-handwheel, which allows the perfect closure of the drain even with the application of low torque clamping. The characteristics of this valve allow its general use in distribution plants, in all those cases where it is necessary to discharge air or to drain small residues from pipes or components. The chrome coating of both the external and internal parts of the body combined with the synthetic rod, prevent the deposit of impurities and incrustations that could lead in time to loss of fluid or difficulty in maneuvering.



Assembly

The manual air exhaust valve Art. 154 is installed on heating bodies or system's parts simply by adding on its male thread a sealant, such as hemp, PTFE tape or semi-blocking metal adhesives.

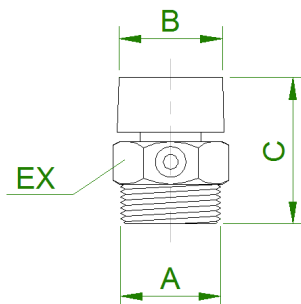
In the case of installation on radiators it is recommended to keep the exhaust nozzle of the valve oriented frontally and inclined downwards by about 45°. This allows an easy uptake, with the help of small containers, of the first water in exit as a result of the air discharge.



Technical data

- Max operating pressure 10 bar
- Maximum operating temperature 90 °C
- Maximum glycol percentage 30%
- Body in brass alloy CW614N UNI-EN12164 chrome-plated
- Rod with maneuvering pawl in high resistance acetalic resin
- Male threading ISO228
- Self-cleaning seat of discharge with 3 mm diameter
- Opening locking device to prevent that the rod comes out

Dimensions



Art.	A	B	C	EX
156-02	1/4"	Ø 17	27	Ch.13
156-03	3/8"	Ø 17	27	Ch.17