

## DOUBLE-SQUARE VALVE AND LOCKSHIELD

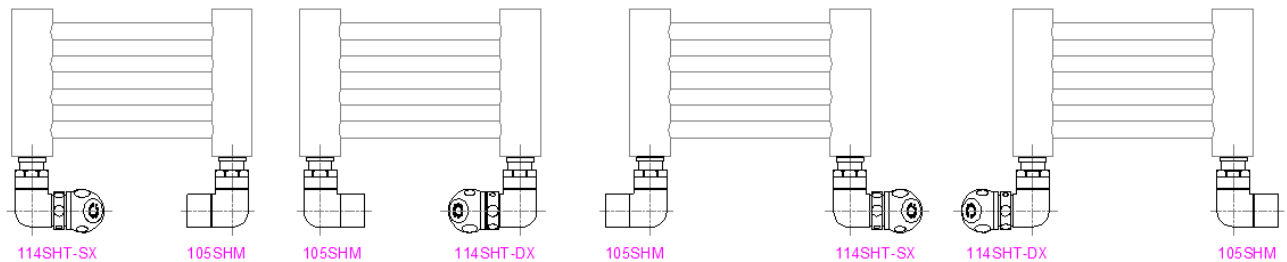
### Application

The thermostatisable double-square valve Art.114SHT and its lockshield Art.105SHM are used in combination with radiators and thin towel warmers in all those cases where, for reasons of space, we want to avoid that the thermostatic head protrudes from the shape of the heating body, a situation that would occur by installing simple square valves with wall pipe connection. When installed, the double-square valves have the handwheel, or thermostatic head, which remains under the heating body, so it is needed to carefully define the supply side, before their order, in order to determine whether you need a Left or Right model (valve mounted on the right or left side, with lockshield on the opposite side).



While with regard to the valve Art. 114SHT it is essential to define whether the right or left model is needed, with regard to the holder there is only one item, the 105SHM, which is designed so that it is reversible, meaning that it is installable either on the right side or on the left side of the radiator. There are applications where the valve is installed so that it has the thermostatic head with axis in the plane of the heating body but protruding from one of its sides. In this way there is a greater lateral encumbrance but the thermostatic head can adjust the room temperature with greater precision, since it is not influenced by radiation from the heating body. Adapters with 3/4" Eurocone connection Art.208HT are used for connecting copper pipes or Art.217HT for multi-layer pipes.

### Assembly



Connection to the radiator with the valves facing inwards:

Valve and holder do not protrude from the outline of the heating body

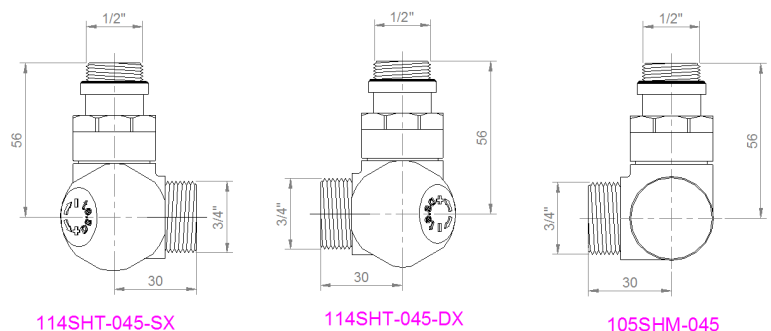
Connection to the radiator with the valves facing outwards:

Valve and lockshield have knob and cap outside the outline of the heating body

### Technical Data

- Max pressure 10 bar
- Max temperature 100°C
- Max glycol percentage 30%
- 1/2" tail piece with EPDM seal
- Adapter connection 3/4" Eurocone
- Bodies in brass CW617N polished and chromed
- 114SHT valve with thermostatisable insert valve size 30x1,5 for 116HT-01 head
- 114SHT valve knob in chromed ABS
- 105SHM lockshield cap in brass
- KV coefficient of flow:
- Valve in manual version Full Open = 1,2
- Valve in Thermostatic version: s-2K = 0,54; s-1K = 0,25
- Lockshield All Open = 2,6

### Size



114SHT-045-SX

114SHT-045-DX

105SHM-045